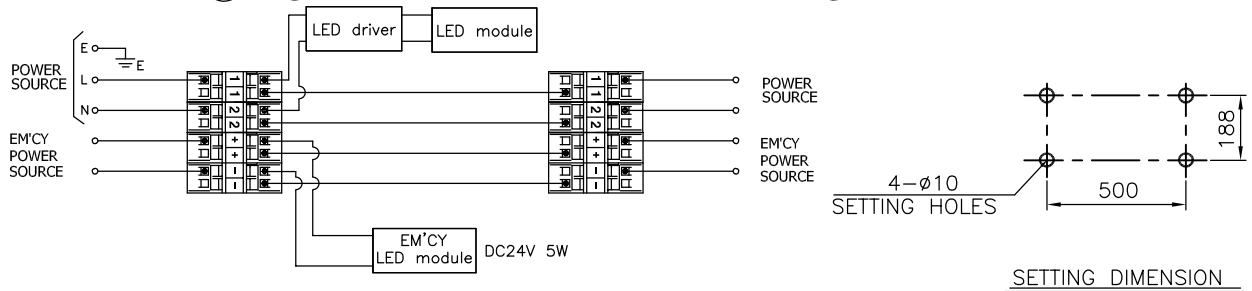
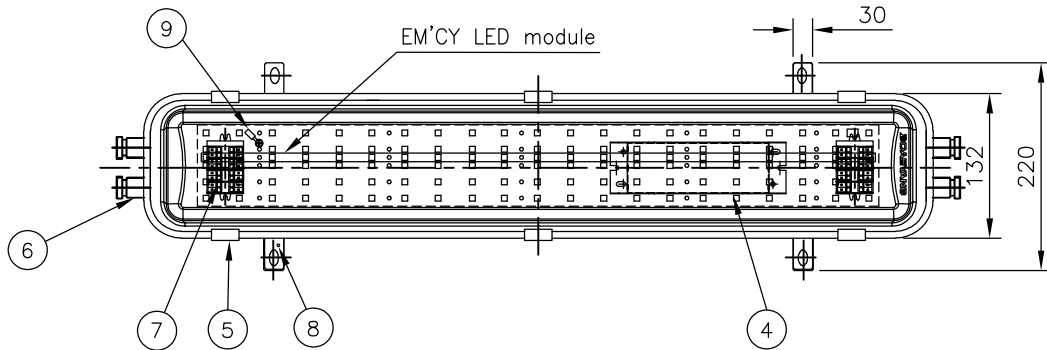
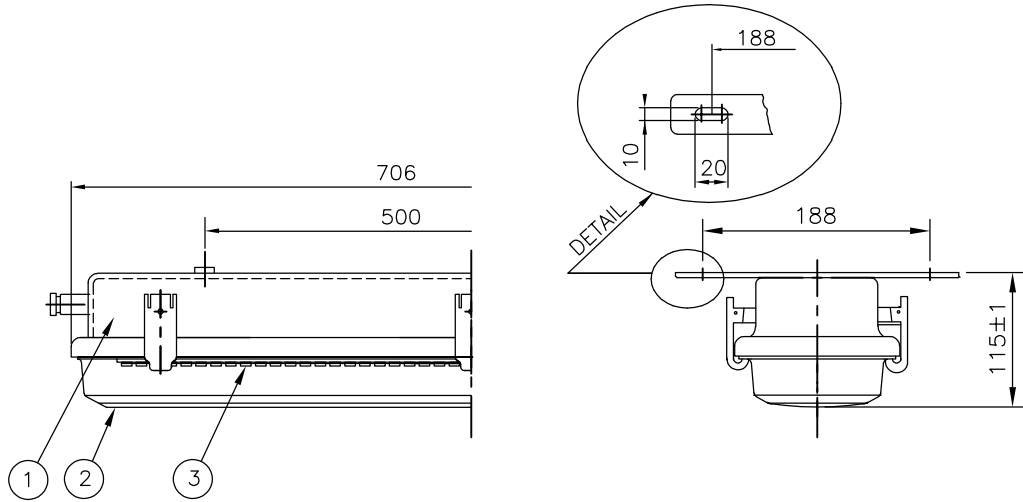


CAPACITY	SYMBOL/ SERIAL NO.	CIRCUIT DIAGRAM
AC100-240V, 50/60Hz		
25W / DC24V, 5W		



CIRCUIT DIAGRAM

9	INSIDE EARTH BOLT	STAINLESS STEEL304	1		5	LATCH	STAINLESS STEEL316L	6	
8	OUTSIDE EARTH BOLT	STAINLESS STEEL304	1		4	LED driver	-	1	
7	TERMINAL BLOCK	-	2	CLAMPING 4P	3	LED module	-	1	5,000±300K
6	CABLE GLAND	BRASS	4	ø14~ø17.5	2	GLOBE	POLYCAR-BONATE	1	MILKY
					1	BODY	STAINLESS STEEL316L	1	
NO	NAME OF PARTS	MATERIAL	Q'TY	REMARKS	NO	NAME OF PARTS	MATERIAL	Q'TY	REMARKS

APPROVED	B. K. KIM	UNIT	MM
CHECKED		SCALE	N/S
DRAWING	B. I. KIM	COLOR	N-9.3
DATE	2015.12.04	IP	66/67

TITLE;			
LED CEILING LIGHT			
(SURFACE TYPE)			
FOR MARINE USE			



MODEL NO.	LEB125WS-1550UWNM4GLw17QC50	WEIGHT	3.3 Kg
DWG NO.	LO1450253	SHEET NO.	16